



GOVERNMENT OF WEST BENGAL
DIRECTORATE OF FORESTS
OFFICE OF THE DEPUTY FIELD DIRECTOR
BUXA TIGER RESERVE (WEST) DIVISION
ALIPURDUAR COURT- 736 122, DIST- ALIPURDUAR.
E-mail: dfdbtrw-wb@nic.in



Memo No.: 211 /2-25-3 (V-HA-Tender)

Date: 27.01.2025

Notice Inviting e-Tender No. 03/BTRW/WBZA/2024-25
Office of the Deputy Field Director, Buxa Tiger Reserve (West) Division
Invites e-Tender for the civil work detailed in the table below.
(Submission of Bid through **online**)

**e-TENDER FOR WORK IN BUXA TIGER RESERVE (WEST) DIVISION,
WEST BENGAL.**

The Deputy Field Director, Buxa Tiger Reserve (West) Division, West Bengal, on behalf of the Governor, West Bengal invites **e-tenders** for Selection of bonafied persons/agencies/companies, including consortium and partnership firms to undertake the Construction of New Holding Aviary at Buxa Vulture Conservation Breeding Centre & Aviary, Rajabhatkhawa at West Rajabhatkhawa Range under BTR (West) Division as detailed in the table below. [Collection (downloading) and Submission (uploading) of Tender can be made online through the website <https://wbtenders.gov.in> only].

A. List of Work(s):

Name of the Division	Project No.	Name of Project	Location	Total Project Cost (Excluding Contingency)	Earnest Money 2% of the Project Cost	Time of Completion
1	2	3	4	5	6	7
Buxa Tiger Reserve (West)	03/BTRW/WBZA/2024-25	Construction of New Holding Aviary	Buxa VCBC & Aviary, West Rajabhatkhawa Range, BTR (West) Division	Rs.1128762.00	Rs. 22575.00	30 calendar days from the issue of work order

****There is no exemption of any kind for any of the eligible contractors towards cost of EMD.**

B. Schedule of Dates:

Sl. No.	Activity	Date & Time
1	Date of uploading of N.I.T. & other Documents (online) (Publishing Date)	27.02.2025 at 11:00 am
2	Documents download/Sale start date (online)	27.02.2025 at 11:00 am
3	Bid submission start date (online)	27.02.2025 at 11:00 am
4	Documents download end date (Online)	12.03.2025 up to 3:00 pm
5	Bid submission closing (online)	12.03.2025 up to 3:00 pm
6	Last date of submission of Earnest Money Deposit (EMD) (online)	12.03.2025 up to 3.00 pm
7	Bid opening date for technical proposals (online)	17.03.2025 after 03:00 pm
8	Date of uploading & Display of Technical Bid Evaluation sheet	To be informed later
9	Date of opening Financial Bids (Online)	To be informed later
10	Date of uploading & Display of Financial Bid evaluation sheet along with final rate, after negotiation with all tenderers if necessary	To be informed later

Note:

1. In case of any unscheduled holiday or on days of Bandh or natural calamity on the aforesaid dates, the next working day will be treated as scheduled / prescribed date for the same purpose.
2. The Tender Inviting Authority may change the venue of opening the Technical or Financial Bids in case of exigent circumstances like breakdown of communications link or conditions of force majeure.
3. The Tender Inviting Authority reserves the right to defer the date of opening of either Technical or Financial Proposal or both, if required.


Deputy Field Director
Buxa Tiger Reserve (West)
EX-OFFICIO DIRECTOR
BIRLA VULTURE CONSERVATION BREEDING CENTRE AND AVIARY

**TENDER FOR CIVIL WORKS/SUPPLY UNDER
BUXA TIGER RESERVE (WEST) DIVISION, WEST BENGAL
INSTRUCTION TO BIDDERS (ITB)**

Section – A

1. General Guidance for e-Tendering

1.1 Instructions / Guidelines for tenderers for electronic submission of the tenders online have been shown in Web site <https://wbtenders.gov.in>

1.2 Registration of Contractors

Any contractor willing to take part in the process of e-tendering will have to be enrolled and registered with the Government e-Procurement System.

1.3 Digital Signature Certificate (DSC)

Each contractor is required to obtain a Class-II or Class-III Digital Signature Certificate (DSC) for submission of tenders.

1.4 Collection of Tender Documents

The contractor can search and download NIT and tender documents electronically from entioned in Clause 1.1 using the Digital Signature Certificate. This is the only mode of collection of tender documents.

1.5 Participation in more than one work

A prospective bidder shall be allowed to participate in the job either in the capacity of individual or as a partner of a firm or registered company. If found to have applied severally in a single job, all his applications will be rejected for that job.

2. Submission of Tenders:

2.1 General process of submission:

Tenders are to be submitted online through the website stated in Clause 1.1 in two folders, at a time for each work, one is Technical Proposal and the other is Financial Proposal, before the prescribed date and time mentioned in the list attached. Using the Digital Signature Certificate (DSC), the documents are to be uploaded, virus scanned and digitally signed. Bidders should specially take note of all the addendum/corrigendum related to the tender and upload the latest documents as part of the tender.

2.2 Technical Proposal

The Technical Proposal should contain scanned copies and/or a declaration in standardized formats of the following in two covers (folders).

A. Technical File (Statutory Cover) containing

- i. NOTICE INVITING TENDER (NIT) **(to be submitted in "NIT" Folder).**
- ii. Section B (Form I, Form II, Form III and AFFIDAVIT – Y) **(to be submitted in "FORMS" Folder).**
- iii. **Earnest Money Deposit (EMD)** is to be submitted by the Tenderer as mentioned in the NIT document in favor of "Deputy Field Director, Buxa Tiger Reserve (West) Division".
- iv. Instructions to Bidders. **(to be submitted in "ITB" Folder)**
- v. General Terms & Conditions of Contract. **(to be submitted in "GT AND CC" Folder)**
- vi. Technical Specification. **(to be submitted in "TS" Folder)**

Note: a) The relevant documents should be submitted online to the office of the Deputy Field Director, Buxa Tiger Reserve (West) Division as per the 'Date & Time Schedule' stated in N.I.T. Technical Bid & Financial bid both will be submitted concurrently duly digitally signed in the Website <https://wbtenders.gov.in>. Financial bid may download from website & submission of Financial Bid as per Tender Schedule.

vii. **Addenda/Corrigenda, if published:** Contractors are to keep track of all the Addendum/Corrigendum issued with a particular tender and upload all the above, digitally signed, along with the NIT. Tenders submitted without the Addendum/Corrigendum will be treated as invalid and liable to be rejected.

B. My Document (Non-Statutory Cover)

Sl. No	Category Name	Sub-Category Description	Document Name	
				(For details see Clause 3 of ITB & relevant clauses of NIT)
A.	CERTIFICATES	CERTIFICATES	1	P.Tax Registration Certificate with current challan
			2	GST Registration Certificate with three month payment challan and GSTR-3B returns of last F.Y. (2023-24).
			3	Authenticated copy of the Income Tax Returns for last three years.
			4	Valid PAN Card
			5	Voter ID Card along with Phone number and e-mail id
B.	COMPANY DETAILS	COMPANY DETAILS	1	Proprietorship Firm - Trade License.
			2	Partnership Firm - Registered Partnership Deed, Registered Power Attorney, Trade license.
			3	Pvt. Ltd. Company - Registration Certificate under Company's Act, MOA & AOA, Registered Power of Attorney, Trade license.
			4	Registered Un-employed Engineers and Labour Cooperative Societies Limited.
C.	CREDENTIAL	CREDENTIAL	1	Experience Profile- List of completed Projects of similar nature.
			2	Completion Certificate from the concerned.
D.	EQUIPMENTS	PLANT& MACHINERIES (OPTIONAL)	1	Authenticated copy of invoice, challan and way bill (Machinery)
		LABORATORY (OPTIONAL)	2	Authenticated copy of invoice, challan and way bill (Laboratory)
E.	FINANCIAL (INFO)	TURN OVER	1	Authenticated copy of the Profit and Loss Statement of the organization for last three years.
		PAYMENT CERTIFICATE	2	Only Payment Certificate of work issued by the concerned Supervisor and not the TDS certificate
F.	DECLARATION	STRUCTURE ORGANISATION &	1	Details of Structure and Organization ITB Section B Form III.
		AFFIDAVIT	2	An affidavit made that no adverse report against the bidder
		TECHNICAL STAFF	3	An affidavit mentioning the name of the technical staff as described in Clause 3(l).

2.3. Financial Proposal

- i) The financial proposal should contain the Bill of Quantities (B.O.Q.) in one cover (folder). The contractor is to quote the rate in the space marked for quoting rate in the B.O.Q.
- ii) Only downloaded copy of the B.O.Q. are to be uploaded quoting the rate, virus scanned & digitally signed by the contractor.

3. Eligibility Criteria for participation in tender:

- a) The intending bidders should have proper license for engaging laborers on contract.
- b) All categories of prospective Tenderers shall have to submit valid and up to date Professional Tax receipt challan, GST registration certificate, Income Tax return Acknowledgement receipt, PAN card issued by Income Tax Department, Voter ID card and Trade license in respect of the prospective tenderer. In addition to the above, any contractor who has executed similar type of tender works in Directorate of Forests, Govt. Of West Bengal, should submit previous credentials for his past performance, completion certificate from respective employer, the completion certificate and credentials should be signed by the officer not below the rank of Deputy Conservator of Forest, any other certificate signed by other officials will not be entertained (Non-Statutory Documents).
- c) Where an individual person holds a Certificate in his own name duly issued to him against the company or the firm of which he happens to be a director or partner, such individual person shall, while submitting any tender for and on behalf of such company or firm, invariably submit a copy of registered power of attorney showing clear authorization in his favor, by the rest of the directors of such company or the partners of such firm, to submit such tender. The Power of Attorney shall have to be registered in accordance with the provisions of the Registration Act, 1908. (Non-statutory Documents).
- d) Neither prospective Tenderers nor any of the constituent partners had been debarred to participate in any Tender by Forest Dept., P.W.D., P.W.(R)D & P.W.(C.B.)D, Housing Department, W.B. or C.P.W.D. or M.E.S or Railways; during the last 5 (five) years prior to the date of this NIT. Such debarring will be considered as disqualification towards eligibility. (A declaration in this respect has to be furnished by the prospective bidders as per prescribed format). [Non-statutory Documents]
- e) The partnership firm shall furnish the Registered Partnership Deed and the Company shall furnish the Memorandum of Association (MOA) and Article of Association (AOA.) [Non-statutory Documents]
- f) Registered Un-employed Engineers' Co-operative Societies / Labour Co- operative Societies are required to furnish the following documents : - [Non-statutory Documents]
 - i) Current "No Objection Certificate" from the Assistant Registrar of Co-operative Societies.
 - ii) Supporting documents showing area of operation.
 - iii) Bye-laws duly approved by the Assistant Registrar of Co-operative Societies.
 - iv) Name with address and signature (in original) of the present Board of Directors of the Cooperative Society.
 - v) Copies of Minutes of last Annual General Meeting and Audit Report of the Co-operative Society with the evidence of submission of the same to the concerned Authorities, duly attested.
- g) The prospective Tenderers or any of their constituent partner shall neither have abandoned any work nor any of their contract have been rescinded during the last 5 (five) years. Such abandonment or rescission will be considered as disqualification towards eligibility.

- h) A prospective Tenderer shall be allowed to participate in the job either in the capacity of individual or as a partner of a firm. If the prospective Tenderer is found to have applied severally in a single job, all his applications will be rejected for that job.
- i) No conditional / Incomplete Tender will be accepted under any circumstances.
- a) **Financial Eligibility:** The Tenderer must have the credentials of similar type of works/supplies that should be evident through the Payment Certificate or Work completion certificate.

4. **Opening of Technical Proposal**

Technical proposals will be opened by the authorized representatives electronically from the website stated in Clause 2.1, using their Digital Signature Certificate.

Intending tenderers may remain present, at the time of opening of tender, if they so desire.

Cover (Folder) for Statutory Documents should be opened first, if found in order, Cover (Folder) for Non statutory Documents will be opened. If there is any deficiency in the Documents, the tender will summarily be rejected.

Decrypted (transformed into readable formats) documents of the Non statutory Cover will be downloaded, and handed over to the Tender Evaluation Committee (constituted for evaluation of tenders).

5. **Uploading of summary list of technically qualified tenderers (1st round)**

Pursuant to scrutiny and decision of the Tender Evaluation Committee (TEC), the summary list of eligible tenderers with the serial number of work(s) for which their Financial Proposals will be considered will be uploaded in the web portals.

While evaluation, the Committee may summon the tenderers and seek clarification / information or additional documents or original hard copy of any of the documents already submitted and if these cannot be produced within the stipulated time frame, their proposals will be liable for rejection.

6. **Final publication of summary list of technically qualified tenderers**

Date of opening of financial bid will be intimated in the final summary list.

7. **Opening and Evaluation of Financial Proposal**

Financial proposals of the tenderers declared technically eligible by the Tender Evaluation Committee will be opened electronically from the web portal stated on the prescribed date.

The encrypted copies will be decrypted and the rates will be read out to the contractors remaining present at that time.

After evaluation of Financial Proposal, by the appropriate Authority of WBFOREST, may upload the final summary result containing inter-alia, name of contractors and the rates quoted by them against each work provided Tender evaluation committee is satisfied that the rate obtained is fair and reasonable and there is no scope of further lowering down of rate.

8. **Procedures to be followed when one / two technically qualified tenderers participated in any tender:**

Financial bid of technically qualified single / two tenderers may not be opened immediately.

Second call may be invited immediately after technical evaluation and uploading the list of the technically qualified bidders(s) of the 1st call. If such bidder(s) technically qualified in the 1st call intend(s) to change their rates quoted in the 1st call, they are to upload tenders afresh. In case of no new upload, the rates quoted in the 1st call would remain valid. After selection of technically qualified

tenderers for 2nd call (in case new tenderer other than the existing tenderer of the 1st call), financial bid of both 1st and 2nd call would be opened. Financial evaluation would be made in a combined way considering both 1st and 2nd call. However, in case tenderer(s) of 1st call submit(s) fresh tender in 2nd call, rates of 2nd call should be considered in the process of evaluation.

9. Acceptance of Tender (Technically eligible/qualified)

Lowest valid rate should normally be accepted. However, the Tender Accepting Authority does not bind himself to do so and reserves the right to reject any or all the tenders, for valid reasons and also reserves the right to distribute the work amongst more than one tenderer at the accepted rate after formal consultation with L1 (accepted rate) bidder and taking consent of L1 bidder for smooth & quick completion of the work.

10. Penalty for suppression / distortion of facts

If any bidders fails to produce the original hard copies of the documents (especially completion certificates and audited balance sheets), or any other documents on demand of the Tender Evaluation Committee within a specified time frame or if any deviation is detected in the hard copies from the uploaded soft copies or if there is any suppression, the tenderer will be suspended from participating in the tenders on e-Tender platform for a period of 3 (Three) years. In addition, his user ID will be deactivated and Earnest Money Deposit will stand forfeited. Besides, the **WBFOREST DEPARTMENT** may take appropriate legal action against such defaulting tenderer.

11. Brief details on the nature of work:

a)	Name of the project	:	Construction of New Holding Aviary
b)	Project ID	:	03/BTRW/WBZA/2024-25
c)	Nature of Work	:	Construction Work
d)	Contractors eligible to submit the Tender	:	As stated in item 3 (a) to 3 (j) of this ITB.

12. Earnest Money Deposit (EMD):

- a) There is no exemption of any kind for any of the eligible contractors towards cost of EMD.
- b) Intending Tenderers should download the Tender Documents from the website <http://wbtenders.gov.in> directly with the help of Digital Signature Certificate.
- c) In case of partnership firm(s), the pledged instrument(s) must reflect the name(s) of the firm as well as the name(s) and address(es) of the partner / partners who is/are authorized to pledge the same as per valid partnership deed(s).
- d) Both Technical Bid and Financial Bid should be submitted duly digitally signed by the Tenderer through the website <https://wbtenders.gov.in> as per the 'Date & Time Schedule' stated in the N.I.T.

13. Bid Security

Online receipt and refund of Bid Security of e- procurement through State government e- procurement Portal the following procedure to be adopted for deposit of Bid Security (EMD) related to e-procurement of State Govt. Departments. This clause is also applicable for all categories of applicants.

A. Login by bidder

- a) A bidder desirous of taking part in a tender invited by a State Government Office shall login to the e- procurement portal of the Government of West Bengal <https://wbtenders.gov.in> using login ID and password.
- b) He will select the tender to bid and initiate payment of pre-defined BID SECURITY for that tender by the selecting the following payments mode.
- i) Net banking (any of the banks listed in the ICICI bank Payment gateway) in case of payment through ICICI Bank Payment Gateway.

B. Payment Procedure:-

i) Payment by Net Banking (any listed bank) through ICICI Bank payment Gateway:

- a) On selection of Net Banking as the payment mode, the bidder will be directed to ICICI Bank payment Gateway webpage (along with a string containing a Unique ID) where he will select the bank through which he wants to do the transaction.
- b) Bidder will make the payment after entering his Unique ID and Password of the bank process the transaction.
- c) Bidder will receive a confirmation message regarding success / failure of the transaction.
- d) If the transaction is successful, the amount paid by the bidder will get credited in the respective pooling account of the State Government maintained with the Focal Point Branch of ICICI bank at R.N. Mukherjee Road, Kolkata for collection of BID SECURITY.
- e) If the transaction is failed, the bidder will try again for payment by going back to the first step.

C) Refund/ Settlement Process:-

- i) After opening of the bids and technical evaluation of the same by the tender inviting authority through electronic processing in the e- procurement portal of the State Government, the tender inviting authority will declare the status of the bids as successful of unsuccessful which will be made available, along with the details of the unsuccessful bidders, to ICICI Bank by the e- procurement portal through bed services.
- ii) On receipt of the information from the e- procurement portal, the Bank will refund through an automated process the BID SECURITY of the bidders disqualified at the technical evaluation to the respective bidders bank accounts from which they made the payment transaction. Such refund will take place within T+2 Bank Working Days where T will mean the date on which information on rejection of bid is uploaded to the e- procurement portal by the tender inviting authority.
- iii) Once the financial bid evaluation is electronically processed in the e- procurement portal BID SECURITY of the technically qualified bidders other than that of the L1 and L2 bidders will be refunded, through an automated process, to the respective bidder's bank accounts from which they made the payment transaction. Such refund will take place within T+2 Bank Working Days where T will mean the date on which information on rejection of financial bid is uploaded to the

e- procurement portal by the tender inviting authority. However, the L2 bidder should not be rejected till the LOI process is successfully.

- iv) If the L1 bidder accepts the LOI and the same processed electronically in the e- Procurement portal BID SECURITY of the L2 bidder will be refunded through an automated process to his bank account from which he made the payment transaction. Such refund will take place within T+2 Bank Working Days where T will mean the date on which information on Award of Contract (AOC) of the L1 bidder is uploaded to the e- procurement portal by the tender inviting authority.

14. Opening of Tender:

- a. The Technical Bid shall be publicly opened by the authority receiving tender or by his Authorized representative, as per the Date & time Schedule mentioned in NIT.
- b. Prospective Tenderers or their authorized representatives may be present during the opening process.
- c. Financial Bids of only those tenderers who would qualify in the Technical Bid evaluation will be opened.
- d. The intending Tenderers shall clearly understand that whatever may be the outcome of the present Invitation of Tender, no cost of Tendering shall be reimbursable by the Government. The Deputy Field Director, Buxa Tiger Reserve (West) Division reserves the right to reject any tender or all Tenders without assigning any reason whatsoever and is not liable for any cost that might have incurred by any Tenderer at any stage of Tendering.
- e. The acceptance of the tender rests with Deputy Field Director, Buxa Tiger Reserve (West) Division who does not bind himself to accept the lowest tender and reserves to himself the authority to reject any or all the tenders received without assigning any reason thereof.
- f. Intending Tenderers are encouraged to inspect the site of work and get them thoroughly acquainted with the local condition and all factors which may affect their rates. Prior to the site visit the intending Tenderers must inform the Deputy Field Director, Buxa Tiger Reserve (West) Division about the time and date of the visit.

15. The selected Contractor must arrange to procure all materials required for the proper completion of the work (as per the Technical Specifications of the tender document). The Employer will not on any account be responsible for procuring the same.

16. The selected contractor shall apply to the Deputy Field Director, Buxa Tiger Reserve (West) Division for seeking permission for utilization of land at the close proximity of the site for arranging required machineries, store of materials etc. at his own cost and responsibility. All such temporary shed etc. shall have to dismantled and all debris etc. cleared from site post completion of the work or as directed by the Deputy Field Director, Buxa Tiger Reserve (West) Division. Once an order to the effect is issued from the Deputy Field Director, Buxa Tiger Reserve (West) Division in this regard, it shall be brought to effect by the contractor without contest.

17. Validity of Bids:

Bid shall remain valid for a period not less than 75 (Seventy-Five) Days after the dead line date for Financial Bid/Sealed Bid Submission. Bid validity for a shorter period shall be rejected by Tender Accepting Authority as non-responsive.

If any Tenderer withdraws his offer before Bid validity period without giving any satisfactory explanation for such withdrawals, he may be disqualified for submitted tender to this Office and Directorate of Forests, Government of West Bengal for a minimum period of 1 (one) year.

18. Verification of credentials/onsite projects:

Before issuance of the work order, the Tender Accepting Authority may verify the credential and other documents of the lowest Tenderer if found necessary. After verification, if it is found that such documents submitted by the lowest Tenderer is either manufactured or false in that case, work order will not be issued in favor of the Tenderer under any circumstances and legal action will be taken against him.

19. Cancellation of Tender:

The Deputy Field Director, Buxa Tiger Reserve West Division reserves the right to cancel this N.I.T. due to unavoidable circumstances and no claim in this respect will be entertained.

20. Security Deposit:

The successful Tenderer to whom a Letter of Acceptance has been issued shall submit within 7(Seven) days from the date of Letter of Acceptance, **Security Deposit which is 10% (Ten Percent)** of the contracted value of work. Failure in depositing this amount and / or non-submission within the specified time shall render the contract liable to termination without reference to the contractor and in such case; the deposited earnest money shall stand forfeited to the Government. The original instrument (Demand Draft/ Banker's Cheque/TR-7 Challan) towards the cost of security deposit in favor of Deputy Field Director, Buxa Tiger Reserve (West) Division should be submitted physically by the tenderer to the office of the Deputy Field Director, Buxa Tiger Reserve (West) Division.

The Governor is pleased to decide that additional performance security @ **10% (Ten Percent)** of the tendered amount shall be obtained from the successful bidder if the accepted bid value is 80% or less of the estimate put to be tender vide Additional Chief Secretary, Government Of West Bengal order number 4608-F(Y) dated 18th July, 2018.

21. Technical Specification and Quality of Works:

Unless otherwise stipulated, all the works are to be done as per the Technical Specifications of the tender document. The project should be executed as per current procedure and practice of Directorate of Forests, Govt. of West Bengal for Construction works.

21. Deduction of Taxes Etc.:

Deduction of Income Tax from the Contractor's Bill will be made as per Govt. rules. Labour Welfare Cess @ 1 % (one percent) of the cost of works will be deducted from every Bill of the selected agency. GST, Royalty & all other statutory levy/ Cess will have to be borne by the contractor as per Govt. Rules and the rate in the B.O.Q. is inclusive of all the taxes & cess stated above.

22. Maintenance Period:

The Contractor will be liable to maintain the work at the appropriate service level to the satisfaction of the Deputy Field Director, Buxa Tiger Reserve (West) Division at his own cost for a period of Security Period/Maintenance period, as stipulated in the BOQ. If any defect/damage is found during the period as mentioned above, the Agency shall make the same good at his own cost. Failure to do so, penal action

against the Agency will be imposed by the Government as deem fit. The Agency will have to quote his rate considering the above aspect. Also the Prospective Tenderers shall have to execute the work in such a manner so that appropriate service level of the work is kept during progress of work and the period of maintenance.

23. Removal of Discrepancy:

If any discrepancy arises between two similar clauses on different notification, the clause as stated in later notification will supersede former one in following sequence: -

- a. Form of Agreement
- b. Tender Form
- c. Technical Specifications
- d. General Terms and Conditions
- e. Relevant PWD(W.B.) Schedule of Rates
- f. Instructions to Bidders
- g. N.I.T.

25. Mobilization Advance/ Cost over Run:

No Mobilization Advance and Secured Advance will be allowed. Time / cost overrun and consequent cost of escalation for any materials, labour, P.O.L. etc. will not be allowed.

26. Canvassing in connection with the tender is strictly prohibited.

27. Site of work and necessary drawings may be handed over to the successful Tenderer along with the work order or in a phase wise manner as deemed fit by the Deputy Field Director, Buxa Tiger Reserve (West) Division No claim in this regard will be entertained.

28. The successful Tenderer will have to start the work as per the work order. He has to complete different stages of work as per time frame specified in the work order. However, DCF may subsequently alter time frame.

29. The Successful Tenderer will be required to obtain valid registration certificate & labour license from respective offices where construction work by them are proposed to be carried out under the Contract Labour (Regulation & Abolition) Act, 1970 and the same should be submitted to the Deputy Field Director, Buxa Tiger Reserve (West) Division.

30. The successful tenderer shall have to comply with the provision of (a) the Contract Labour (Regulation & Abolition) Act, 1970 and (b) the Minimum Wages Act, 1948 and the Notifications thereof or other laws relating thereto and the rules made and orders issued there under from time to time, failure to do so will be treated as breach of contract and the Deputy Field Director, Buxa Tiger Reserve (West) Division may in his discretion cancel the contract. The contractor shall also be liable for any liability arising on account of any violation by him of the provisions of the Act and Rules made there under time to time.

31. The contractor shall not be entitled for any compensation for any loss suffered by him due to delay arising out for modification of the work, due to non-delivery of the possession of site and / or modification of plan & estimate.

32. Prevailing safety norms has to be followed by the successful Tenderer during execution of the work so that LTI (Loss of time due to injury) is zero.

33. Guiding schedule of construction works should be followed as per existing norms, patterns, lying in the working division.

34. The contractor shall abide by all acts and rules, especially but not limited to the field of forests, wildlife and biodiversity.

35. A Tenderer is to quote in figures as well as in words, his rates in the following forms in his cases against the estimated value put to tender.

36. In the event of a tender being submitted by a firm, it must be signed by a member or members of the firm having legal authority to do so and if called for, legal documentations in support thereon must be

produced for inspection and in the case of a firm carried out by one member or a joint family it must disclose that the firm is duly registered under the Indian Partnership Act.

37. The Tenderer must sign at the bottom of each page of the tender documents as a proof of acceptance of terms and conditions of the Tender. Overwriting shall not be allowed. All corrections, alternations etc. must be duly signed.

38. It must be clearly understood that the quantities of the various items indicated in the schedule or probable items are approximate only and may be increased or decreased during actual execution. The contractor shall remain effected by alteration.

39. Issuance of work order & payment of bills after completion of work is subjected to the availability of fund. Work order may not be issued if there is no allotment of fund.

40. Unskilled labors employed by the contractors must process MGNREGS Job card. The successful bidders have to submit the MGNREGS job card details of unskilled labors employed the final or part bill for payment.

41. Payment will be made as per actual work done in the field.

42. Work order will only be issued after allotment of fund from the Govt.

Rates are firm for the period of the project. In case any abnormal deviation is observed during the course the tender accepting authority may refer to the appropriate higher authority of Directorate of Forests, Govt. Of West Bengal in deciding on the rate revisions (if needed).



Ex-officio Director

Vulture Conservation Breeding Centre and Aviary &
Deputy Field Director
Buxa Tiger Reserve (West)

Memo No. /2-25-3 (V-HA-Tender)

Dated, the: / /2025

Copy forwarded for wide circulation & information to:-

1. The Principal Chief Conservator of Forests(HOFF), West Bengal
2. The Principal Chief Conservator of Forests (Wildlife), Chief Wildlife Warden, West Bengal.
3. The Chief Conservator of Forest, MIS & e-governance, West Bengal to upload in the website www.westbengalforest.gov.in
4. The Chief Conservator of Forests & Field Director, Buxa Tiger Reserve, West Bengal along with two copies of the Tender Notice with the request to return one copy duly approved.
5. The District Magistrate, Alipurduar.
6. The Deputy Field Director, Buxa Tiger Reserve (East) Division.
7. The Treasury Officer, Alipurduar Treasury.
8. All Range Officers (Territorial), BTR(W) Division.

9. Notice Board, Buxa Tiger Reserve, West Division.

Sd/- Dr. Harikrishnan P.J., IFS

**Ex-officio Director
Vulture Conservation Breeding Centre and Aviary &
Deputy Field Director
Buxa Tiger Reserve (West)**

Annexure III



GOVT. OF WEST BENGAL
OFFICE OF THE EXECUTIVE ENGINEER (P.W.D.)
ALIPURDUAR DIVISION
P.O. ALIPURDUAR COURT, DIST. ALIPURDUAR, PIN – 736122
Ph. / Fax No. 03564-255175 (O), 255210 (R), e-mail. - pwd_alipurduar@rediffmail.com

Memo No.: 1365 / XI-292

Date: - 14.11.2024

To,


The Deputy Field Director,
Buxa Tiger Reserve (West) Division,
Alipurduar Court,
P.O. & Dist. – Alipurduar, Pin- 736122.

Sub: Vetting of Estimate for the work “Construction of Aviary at Vulture Conservation Breeding Centre, Rajabhatkhawa under BTR (W) Division”.

Ref: His Memo No. 2845 / 2-25-3 dated 22.10.2024.

Please find herewith the aforesaid estimate duly vetted the rates as per current PWD SOR except one non SOR item by the undersigned for taking necessary action from his end.

Encl: Estimate as submitted.


Executive Engineer, P.W.D.
Alipurduar Division,
Alipurduar

Memo No.: 1365 / 1(1) / XI-292

Date: 14.11.2024

Copy forwarded to: -

1. The Estimating Section of this Division for information.

Sd/- P.K. Halder

Executive Engineer, P.W.D.
Alipurduar Division,
Alipurduar

Name of work : CONSTRUCTION OF VULTURE CONSERVATION BREEDING CENTRE OF BUXA TIGER RESERVE,
RAJABHATKHAWA, DIST - ALIPURDUAR.

DOUBLE CAGE VULTURE BREEDING CENTRE							
Sl. No.	Item No.	Item Details	Quantity	Unit	Rate	Total Amount	
1	Page No. 1 Item No. 2	Earth work in excavation of foundation trenches or drains, in all sorts of soil (including mixed soil but excluding laterite or sandstone) including removing, spreading or stacking the spoils within a lead of 75 m. as directed. The item includes necessary trimming the sides of trenches, levelling, dressing and ramming the bottom, bailing out water as required complete.					
		a) Depth of excavation not exceeding 1,500 mm.					
		FOOTING : 12 X 0.90 X 0.90 X 0.90	8.75				
		TIE BEAM : 1 X 65.84 X 0.25 X 0.475	7.82				1976.30
		Total :-	16.57	16.57	cum	119.27	1975.89
2	Page No. 1 Item No. 3	Earth work in filling in foundation trenches or plinth with good earth, in layers not exceeding 150 mm. including watering and ramming etc. layer by layer complete. (Payment to be made on the basis of measurement of finished quantity of work)					
		a) With earth obtained from excavation of foundation	3.31	3.31	cum	77.54	256.66
3	Page No. 2 Item No. 4(A)	(A) Filling in foundation or plinth by silver sand in layers not exceeding 150 mm as directed and consolidating the same by thorough saturation with water, ramming complete including the cost of supply of sand. (payment to be made on measurement of finished quantity)					
		PLENTH LEVEL 19.32 X 5.70 X 0.90	99.11				51643.25
		Total :-	99.11	99.11	cum	521.07	51644.08
4	Page No. 14 Item No. 1	Single Brick Flat Soling of picked jhama bricks including ramming and dressing bed to proper level and filling joints with local sand.					
		column FOOTING : 12 X 0.90 X 0.90	9.72				
		TIE BEAM : 65.84 X 0.25	16.46				
		FLOOR 5.95 X 1.83	10.89				12010.68
		Total :-	37.07	37.07	Sq.M	324.00	12010.19

Argha
Argha Sengupta
B.Tech in Civil Engineering
Regd.No.-142570120067
Surjanagar, Alipurduar
Mob: 9563117117

5	Page No. 34 Item No. 22	(II) Cement concrete with 30 mm down graded shingles excluding shuttering. N.B. Variety						
		In ground floor(a) 1:3:6 proportion						
		column FOOTING : 12 X 0.90 X 0.90 X 0.075	0.73					
		TIE BEAM : 65.84 X 0.25 X 0.075	1.23					
		FLOOR 5.95 X 1.83 X 0.10	1.09					
		Front Site Stair - 2.82 x 0.90 X 0.90	2.28					
	Total :-	5.34	5.34	cum	3395.00	18106.91	3268.18 17452.08	
6	Page No. 15 Item No. 8	Brick work with 1st class bricks in cement mortar (1:6)						
		(a) In foundation and plinth						
		TOP WALL SNAKE PROTECTOIN : 65.84 X 0.375 X 0.375	9.26					
		TIE BEAM : 65.84 X 0.25 X 0.90	14.81					
		Total :-	24.07	24.07	cum	4896.00	117869.18	4849.88 1,16,736.61
7	Page No. 16 Item No. 16	125 mm. thick brick work with 1st class bricks in cement mortar (1:4) in ground floor.						
		Ground floor: Total wall:						
		16.56 X 4.00	66.24					
		49.28 X 0.60	29.57					
		Less: Door and Window:-						
		Ground floor: Door:-						
		(D) 3 X 0.90 X 2.10	-5.67					
	Total :-	90.14	90.14	Sq.M	674.00	60757.06	666.33 60,062.99	
8	Page No. 26 Item No. 10	Ordinary Cement concrete (mix 1:1.5:3) with graded stone chips (20 mm nominal size)						
		River Bazree						
		Ground floor						
		COLUMN FOOTING : 12 X 0.90 X 0.90 X 0.20	1.94					
		COLUMN UP TO TIE : 12 X 0.25 X 0.25 X 0.225	0.17					
		Tie Beam : 65.84 X 0.25 X 0.30	4.94					
		GL To 1ST FLOOR.						
		Column (CL-1) 12 X 0.25 X 0.25 X 0.90	0.68					
		Lintel :- 14.56 X 0.125 X 0.15	0.27					
		POND : 2 X (22/7) X 0.36 X 0.15	0.34					
		Chaja: W 2 X 2.20 X 0.90 X 0.10	0.40					
			Total :-	8.734	8.73	Cum	4745.00	41443.68

9	Page No. 43 Item No. 40	Reinforcement for reinforced concrete work in all sorts of structures including distribution bars, stirrups, binders etc initial straightening and removal of loose rust (if necessary), cutting to requisite length, hooking and bending to correct shape, placing in proper position and binding with 16 gauge black annealed wire at every intersection, complete as per drawing and direction. Ground floor(JSW/JSPL/Shyam/SRMB/SSL/BMASL/Electrosteel)							
			0.804	0.804	MT.	59102.05	47544.45		
10	Page No. 42 Item No. 36	Hire and labour charges for shuttering with centering and necessary staging upto 4 m using approved stout props and thick hard wood planks of approved thickness with required bracing for concrete slabs, beams and columns, lintels curved or straight including fitting, fixing and striking out after completion of works (upto roof of ground floor)				59102.05	47,518.05		
		(f) 25 mm to 30 mm shuttering without staging in foundation							
		COLUMN FOOTING : 12 X 4 X 0.90 X 0.20	8.64						
		COLUMN UP TO TIE : 12 X 4 X 0.25 X 0.225	2.70						
		Tie Beam : 2 X 65.84 X 0.30	39.50						
		GL. To 1ST FLOOR.							
		Column (CL-1) 12 X 4 X 0.25 X 0.90	10.80						
		Lintel :- 2 X 14.56 X 0.15	4.37						
		Total :-	66.01	66.01	Sqm	205.00	13532.05		13532.46
		(a) 25 mm to 30 mm thick wooden shuttering as per decision & direction of Engineer-In-Charge.							
		GL. To 1ST FLOOR.							
		Chaja: W 2 X 2.20 X 0.90	3.96						
		EXTRA LS	15.00						
			18.96	18.96	Sqm	328.00			6218.88
11	Page No. 192 Item No. 1	Labour for Chipping of concrete surface before taking up Plastering work.							
		SAME AS SL NO. 10	84.97	84.97	Sqm	21.00	1784.37		1784.41
12	Page No. 47 Item No. 3	Supplying and laying Polythene Sheet (150gm / sq.m.) over damp proof course or below flooring or roof terracing or in foundation or in foundation trenches							
		SAME AS SL NO. 10	84.97	84.97	Sqm	24.00	2039.28		2039.33

13	Page No. 189 Item No. 1	Plaster (to wall, floor, ceiling etc.) with sand and cement mortar including rounding off or chamfering corners as directed and raking out joints including throating, nosing and drip course, scaffolding/staging where necessary (Ground floor). [Excluding cost of chipping over concrete surface]					
		(ii) With 1:4 cement mortar					
		(a) 20 mm thick plaster					
		Ground floor					
		16.56 X 4.00	66.24				
		49.28 X 0.90	44.36				
		Less Door & Window :-					
		(D) 3 X 1/3 x (0.90 X 2.10)	-1.89			175.97	19129.70
			108.71	108.71	Sqm	181.00	19676.69
		(b) 15 mm thick plaster					
		Ground floor					
		16.56 X 4.00	66.24				
		Less Door & Window :-					
		(D) 3 X 1/3 X (1 X 0.90 X 2.10)	-1.89			153.14	9854.56
	64.35	64.35	Sqm	157.00	10102.95		
(c) 10 mm thick plaster							
Ground floor							
Chaja: W	2 X 2.20 X 0.90	3.96					
(i)	2 X 4 X 0.25 X 4.90	9.80					
Extra stare case :	10.00						
	23.76	23.76	Sqm	123.48	2933.88		
14	Page No. 192 Item No. 15	Neat cement punning about 1.5mm thick in wall, dado, window sill, floor etc. NOTE: Cement 0.152 cu.m per 100 sq.m.					
	FLOOR	5.95 X 1.83	10.89				
		{(20.32 X 2) + (6.20 X 2)} X 0.90	47.74				
	Total :-		58.62	58.62	Sqm	32.73	1918.63
						34.00	1993.23

15	Page No. 114 Item No. 1	Wood work in door and window frame fitted and fixed in position complete including a protective coat of painting at the contact surface of the frame excluding cost of concrete, Iron Butt Hinges and M.S clamps. (The quantum should be corrected upto three decimals).					
		(d) Sal : Local.					
		Ground floor: Door:- (D) 3 X 5.10 X 0.10 X 0.075	0.115				8269.31
		Total :-	0.115	0.115	Cum	71907.00	8251.33
16	Page No. 117 Item No. 1	Panel shutters of door and window, as per design (each panel consisting of single plank without joint), including fitting and fixing the same in position but excluding the cost of hinge and other fittings.					
		(iii) 35mm thick shutters with 19mm thick panel of size 30 to 45 cm.					
		(b) Sishu, Gamar, Champ,Badam,Bhola, Mogra, Hallak					
		Ground floor: Door:- (D) 3 X 0.75 X 2.025	4.56	4.56			12717.84
Total :-	4.56	23.49	Sqm	2789.00	65513.61		

V. Shankar
Range Officer
AFR (W) Range
BTR (W)

Plawri
Deputy Field Director
Buxa Tiger Reserve (W)

425385.25

17	Page No. 140 Item No. 4	Supplying, fitting and fixing M.S. clamps for door and window frame made of flat bent bar, end bifurcated with necessary screws etc. by cement concrete(1:2:4) as per direction. (Cost of concrete will be paid separately)	6	6	nos.	29.00	174.00
		a) 40 mm X 6 mm 250 mm length					
18	Page No. 140 Item No. 5	Iron butt hinges of approved quality fitted and fixed with steel screws, with ISI mark.	10	10	nos.	43.00	430.00
		(vi) 100mm. X 50mm. X 1.25mm					
19	Page No. 141 Item No. 8	Iron socket bolt of approved quality fitted and fixed complete.	30	30	nos.	40.00	1200.00
		(b) 100mm long x 10mm dia bolt.	70	70	nos.	63.00	4410.00
		(c) 150mm long x 10mm dia bolt.					
20	Page No. 141 Item No. 10	i) Iron hasp bolt of approved quality fitted and fixed complete (oxidised) with 16mm dia rod with centre bolt and round fitting.	6	6	nos.	159.00	954.00
		(a) 250mm long					
21	Page No. 145 Item No. 30	Anodised aluminium D-type handle of approved quality manufactured from extruded section conforming to I.S. specification (I.S. 230/72) fitted and fixed complete:	6	6	nos.	69.00	414.00
		(ii) 100 mm grip x 10 mm dia rod.					
22	Page No. 197 Item No. 15	Applying decorative cement based paint of approved quality after preparing the surface including scraping the same thoroughly (plastered or concrete surface) as per manufacturer's specification.					
		In Ground floor:					
		(iii) Two coats.					10308.62
		L.S. (DETAILS TO BE IN BILL) Total :-	L.S	210.38	Sqm	49.00	10308.49
23	Page No. 200 Item No. 2	Painting with best quality synthetic enamel paint of approved make and brand including smoothening surface by sand papering etc. including using of approved putty etc. on the surface, if necessary :					
		a) On timber or plastered surface :					
		With other than hi-gloss of approved quality-					15778.50
		(iv) Two coats (with any shade except white)	L.S	210.38	Sqm	75.00	15778.29
		(b) On steel or other metal surface :					
		With super gloss (hi-gloss) -					
		(iv) Two coats (with any shade except white)	L.S	37.56	Sqm	79.00	2967.24

24	Page No. 104 Item No. 13	(a) M.S. or W.I. Ornamental grill of approved design joints continuously welded with M.S. W.I. Flats and bars of windows, railing etc. fitted and fixed with necessary screws and lugs in ground floor. (Add extra @ 1% for each addl. floor upto 4th floor and @ 1.25% for each addl. floor above 4th floor) (i) Grill weighing above 10 Kg./sq.mtr and up to 16 Kg./sq. mtr Total :- $((1.20 \times 1.50 \times 1) + (2.10 \times 0.95 \times 3)) / 100$	0.078	0.078	Qntl	10021.00	781.64
25	Page No. 200 Item No. 1	(a) Priming one coat on steel or other metal surface with synthetic oil bound primer of approved quality including smoothening surfaces by sand papering etc L.S. (DETAILS TO BE IN BILL) Total :-	L.S	210.38	Sq.M	29.00	6101.02 6100.94
26	Page No. 200 Item No. 1	(b) Priming one coat on timber or plastered surface with synthetic oil bound primer of approved quality including smoothening surfaces by sand papering etc. L.S. (DETAILS TO BE IN BILL) Total :-	L.S	37.56	Sq.M	38.00	1427.28
27	Page No. 85 Item No. 101 29	M.S. structural works with hollow sections (square or rectangular shape) conforming to IS: 806-1968 & IS:1161-1998) connected to one another with bracket, gusset, cleat as per design, drawing & direction of Engineer-in-Charge complete including cutting to requisite shape & size, fabrication including metal arc welding conforming to IS: 816-1969 & IS: 9595 using electrodes of approved make and brand conforming to IS:814- 2004, haulage, hoisting and erection all complete. The rate includes the cost of all M.S. Hollow section, all consumables such as electrodes, gas and hire charges of all tools and plants and labour required for execution and all incidental chages (such as electricity, labour insurance) etc. complete. Payment to be made on the basis of calculated weight of structural memebrrs of MS Holow Section as specified in relevent IS code in finished work. Payment for gusset, bracket, cleat may be made by adding the actual weight of such items with weight of finished structural members. The rates are considered for a hight of erection 8 m. / 2nd floor level from the ground. Add 1.5 % extra over the rate for each additional floor or 4m. beyond the initial 8 m. or part thereof. i) For roof truss works					
		a) Span up to 12 Mtr	3.966	3.966	MT.	74284.00	294610.34

28	Page No.80 Item No. 7	Asbestos corrugated (Trafford or similar approved quality) sheet (6 mm thick) work (excluding the supporting framework) fitted and fixed with 9.5mm. dia. J or L hook-bolt and nuts, limpet and bitumen washers and putty with 150 mm end lap & one corrugation minimum side lap complete. (Payment should be made on area of finished work)					
		(a) In Roof : 2 X 3.20 X 9.00	57.6	57.60	Sq.M	471.00	27129.60
29	Page No.80 Item No. 8	Asbestos ridging (with standard lap) fitted and fixed with necessary hook, bolts, nuts, washers, etc. complete. (a) Close fitting adjustable type	9.00	9.00	M.	270.00	2430.00
30	Page No.215 Item No. 10	Bamboo walling made of crushed bamboo or split bamboo or bamboo twigs(kanchis) as directed and tied with necessary stiffeners of split bamboo (in pairs) made of 100mm dia. Bamboo fitted and fixed complete (but excluding the cost of supporting frame work) 56.00 X 4.00	224.000	224.00	Sq.M	108.00	24192.00
31	Page No.222 Item No. 11	Supplying, fitting, fixing, Chain link fencing of approved quality with R.C.C posts wooden posts or iron posts by means of galvanised "C" clips to grid of horizontal strands of galvanised high tensile spring steel wire of 12 S.W.G which have to be tensioned and fixed to the vertical posts by means of galvanised special clips, bolts and nuts etc. (The rate is exclusive of the cost of posts) (I) 50 mm. x 50 mm. x 8 g. ((6.20 X 2)+(4 X 10.00)) X 4.50	235.80	235.80	Sq.M	414.00	97621.20
32	Page No.12 Item No. 19(I) (S&P)	Supplying, fitting and fixing PVC pipes of approved make of Schedule 80 (medium duty) conforming to ASTM D - 1785 and threaded to match with GI Pipes as per IS : 1239 (Part - I). with all necessary accessories, specials viz. socket, bend, tee, union, cross, elbo, nipple, long screw, reducing socket, reducing tee, short piece etc. fitted with holder bats clamps, including cutting pipes, making threads, fitting, fixing etc. complete in all respect including cost of all necessary fittings as required, jointing materials and two coats of painting with approved paint in any position above ground. (Payment will be made on the centre line measurements of total pipe line including all specials. No separate payment will be made for accessories, specials. Payment for painting will be made separately) (a) For Exposed Work PVC Pipes (Dia) 20 mm	15.00	15.00	M.	129.00	1935.00

33	Page No. 12 Item No. 19(I) (S&P)	Supplying, fitting and fixing PVC pipes of approved make of Schedule 80 (medium duty) conforming to ASTM D - 1785 and threaded to match with GI Pipes as per IS : 1239 (Part - I). with all necessary accessories, specials viz. socket, bend, tee, union, cross, elbo, nipple, longscrew, reducing socket, reducing tee, short piece etc. fitted with holder bats clamps, including cutting pipes, making threads, fitting, fixing etc. complete in all respect including cost of all necessary fittings as required, jointing materials and two coats of painting with approved paint in any position above ground. (Payment will be made on the centre line measurements of total pipe line including all specials. No separate payment will be made for accessories, specials. Payment for painting will be made separately) (a) For Exposed Work PVC Pipes (Dia) 25 mm	30.00	30.00	M.	177.00	5310.00
34	Page No. 12 Item No. 19(I) (S&P)	Supplying, fitting and fixing bib cock or stop cock. (ii) Chromium plated Concealed Stop Cock (Equivalent to Code No. 514(A) & Model - Tropical / Sumthing Special of ESSCO or similar brand).	4.00	4.00	EACH	674.00	2696.00
35	Page No. 222 Item No. 11 (ROAD)	Construction of Sub Base using Local Materials: Construction of Sub Base using Local Materials, spreading in uniform layers with Motor grader on prepared surface, including screening the metal as necessary, mixing by mix in place method with Rotavator at OMC, and compacting with vibratory roller to achieve the desired density, lighting, guarding and barricading including cost and carriage of all materials and making necessary earthen bundh of one metre wide on each side to protect the edges complete as per Clause 401 of Specifications for Road & Bridge Works of MoRT&H (5th Revision). Construction of Sub Base using Local Materials: Construction of Sub Base using Local Materials, spreading in uniform layers with Motor grader on prepared surface, including screening the metal as necessary, mixing by mix in place method with Rotavator at OMC, and compacting with vibratory roller to achieve the desired density, lighting, guarding and barricading including cost and carriage of all materials and making necessary earthen bundh of one metre wide on each side to protect the edges complete as per Clause 401 of Specifications for Road & Bridge Works of MoRT&H (5th Revision).					
		PLINT PROTECTION : 50.00 X 0.90 X 0.50	22.50		CU.M.	926.72	20,851.20
			22.50	22.50	CU.M.	654.31	14721.98

Total = Rs. 9,47,106.89

36	AS PER QUATATION	PP BIAXIAL GEOGRID 30-30KN/M. 8.00 X 7.00 X 2	112.00	112.00	Sq.M	500.00	56000.00
----	------------------	--	--------	--------	------	--------	----------

Total = Rs. 9,47,106.89 (except non SOR item)
Sl no. 36

add 18% GST → R. 1,170,479.24
add 1% cess → R. 11,17,586.13 (A)
R. 11,17,586.13
R. 11,28,761.99

contingency @ 3%
over marked A R. 33,527.58

Total R. 11,62,289.57
Sj R. 11,62,290.00

Total :-	1055298.01
ADD G.S.T. @ 18% Rs :-	189953.64
Rs :-	1245257.65
ADD Cess. @ 1% Rs :-	12452.52
TENDER AMOUNT Rs :-	1257704.17
Add Contingency @ 3% Rs :-	37357.55
Rs :-	1295061.72

@Argha
Argha Sengupta
B.Tech in Civil Engineering
Regd.No.-142570120067
Surjanagar, Alipurduar
Mob: 9563117117

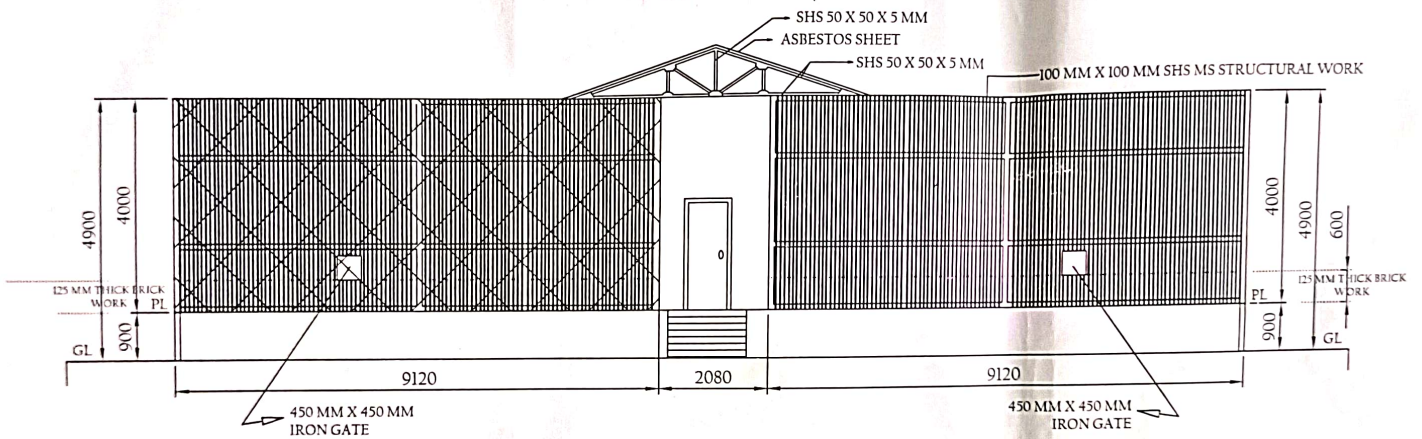
V. Banjan
Range Officer
AFR (W) Range
BTR (W)

Rates are vetted as per
current PWD SOR

Plani
Deputy Field Director
Buxa Tiger Reserve (W)

Executive Engineer (PWD)
Alipurduar Division

**NAME OF WORK : VULTURE CONSERVATION BREEDING CENTER OF BUXA TIGER RESERVE,
RAJABHATKHAWA, DIST - ALIPURDUAR**



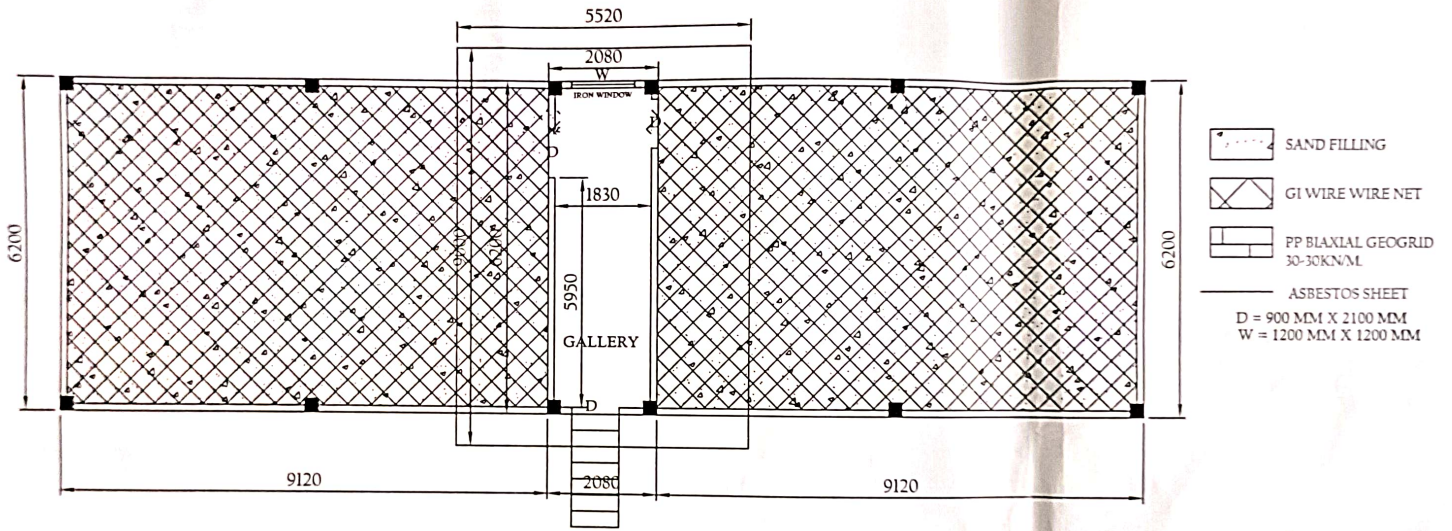
ELEVATION

Argha
Argha Sengupta
 B.Tech in Civil Engineering
 Regd.No.-142570120067
 Surjanagar, Alipurduar
 Mob: 9563117117

S. Banerjee
Range Officer
AFR (W) Range
BTR (W)

Hansi
Deputy Field Director
Buxa Tiger Reserve (W)

**NAME OF WORK : VULTURE CONSERVATION BREEDING CENTER OF BUXA TIGER
RESERVE, RAJABHATKHAWA, DIST - ALIPURDUAR**



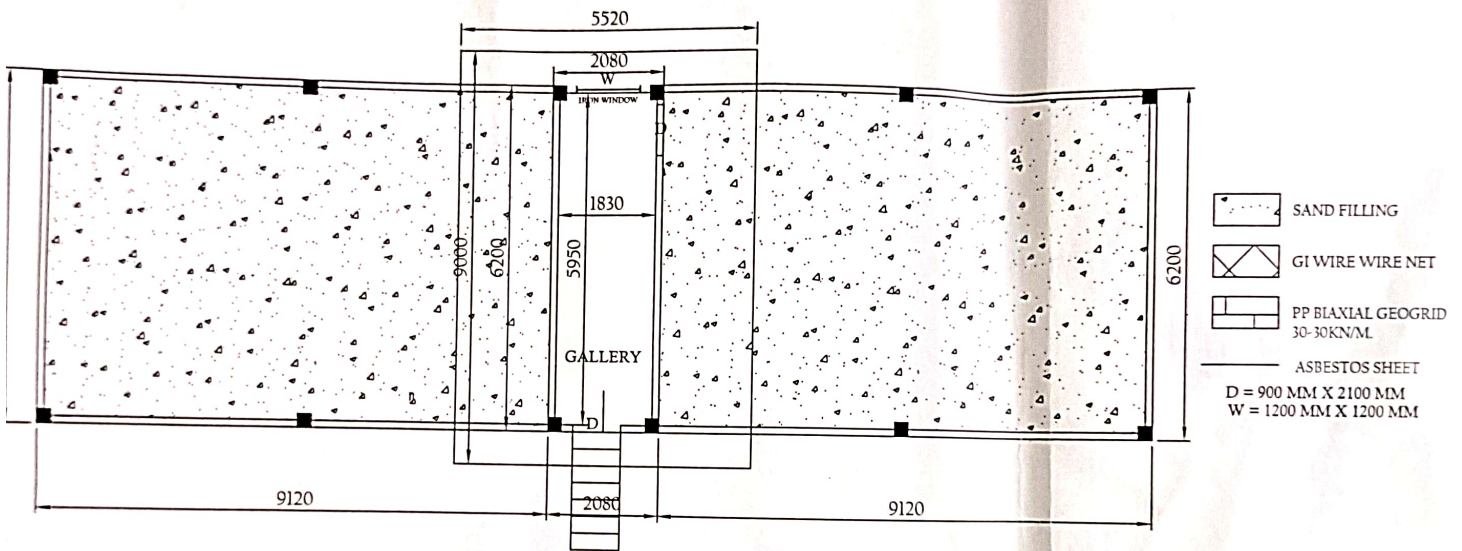
GROUND FLOOR PLAN (TOP)

Argha
Argha Sengupta
 B.Tech in Civil Engineering
 Regd.No.-142570120067
 Surjanagar, Alipurduar
 Mob. 9563117117

V. Parkar
Range Officer
AFR (W) Range
BTR (W)

Flami
Deputy Field Director
Buxa Tiger Reserve (W)

**NAME OF WORK : VULTURE CONSERVATION BREEDING CENTER OF BUXA TIGER
RESERVE, RAJABHATKHAWA, DIST - ALIPURDUAR**

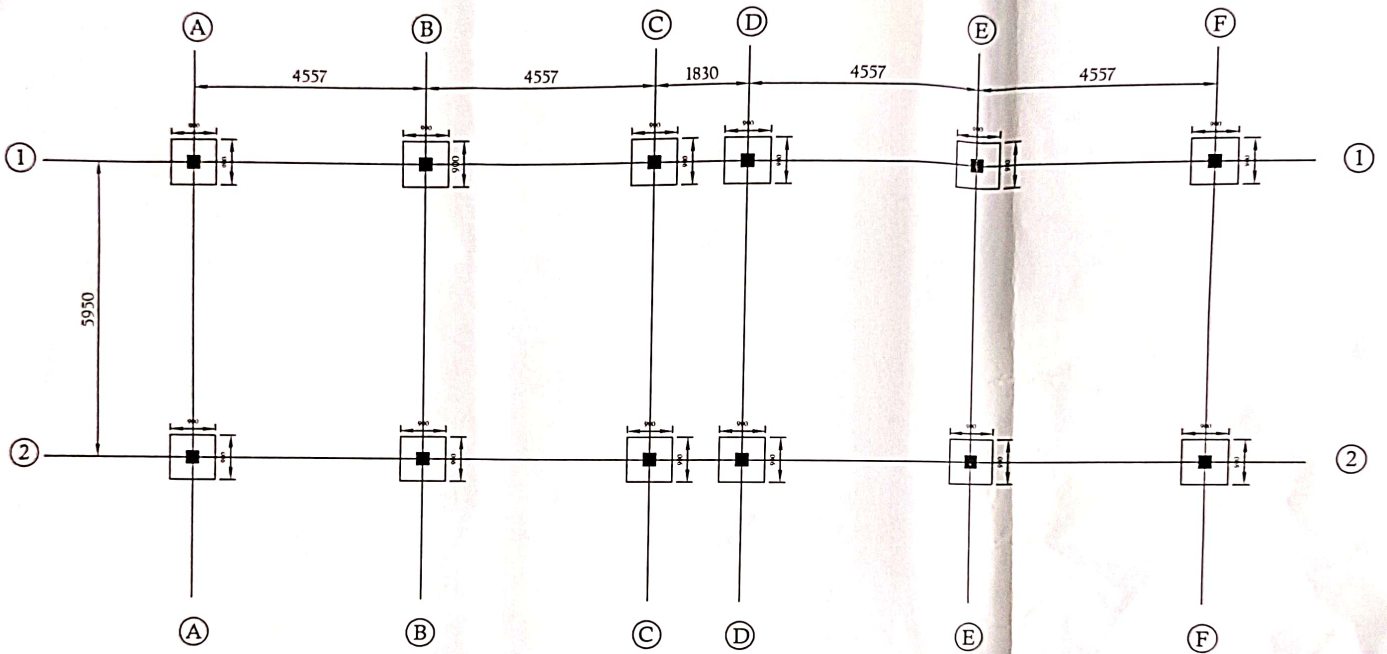



GROUND FLOOR PLAN (FLOOR)

Argha
Argha Sengupta
 B.Tech in Civil Engineering
 Regd.No.-142570120067
 Surjanagar, Alipurduar
 Mob: 9563117117

Y. B. Borkar
Range Officer
AFR (W) Range
BTR (W)

Hari
Deputy Field Director
Buxa Tiger Reserve (W)



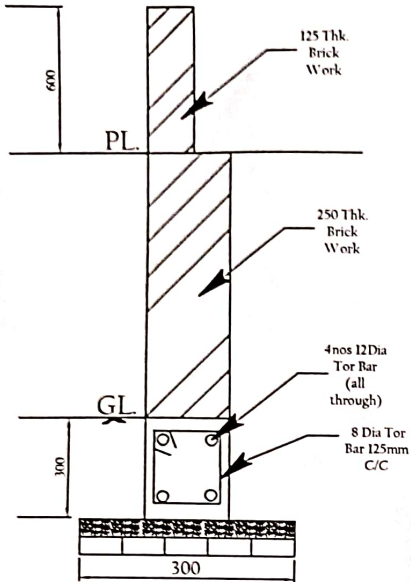

 Argha Sengupta
 B.Tech in Civil Engineering
 Regd.No.-142570120067
 Surjanagar, Alipurduar
 Mob: 9563117117

LAYOUT PLAN

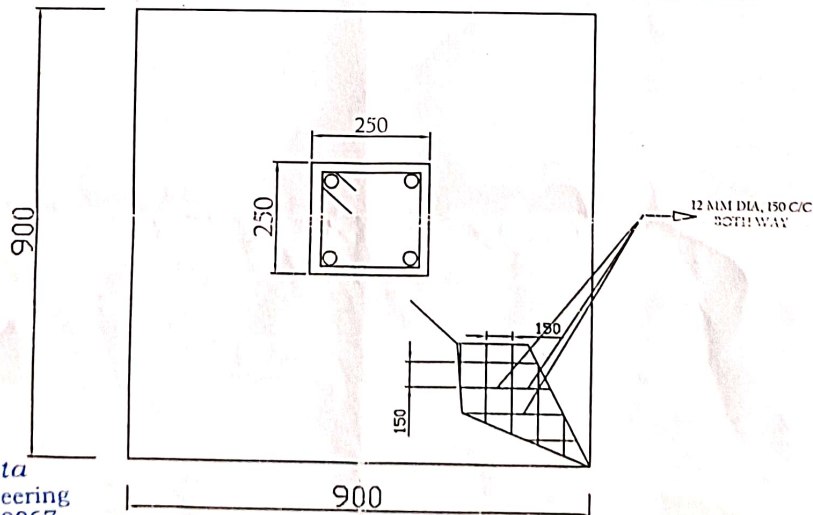
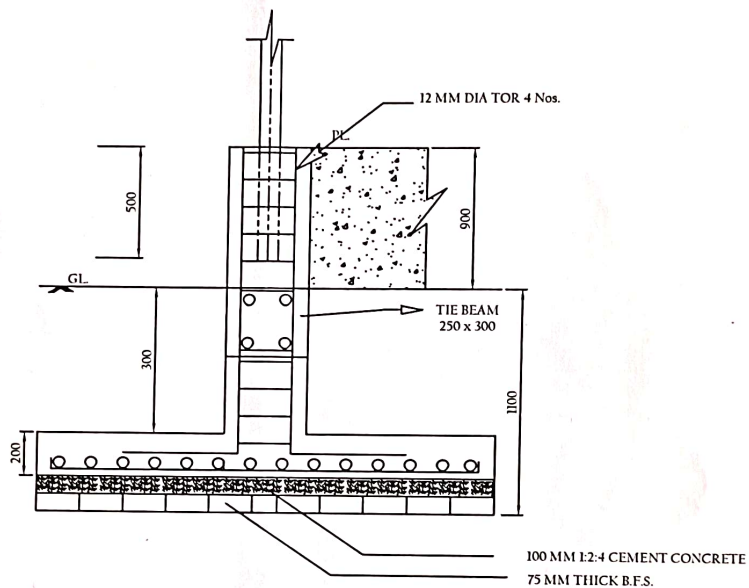

 Range Officer
AFR (W) Range
 অফিস (ৱ)


 Deputy Field Director
 Buxa Tiger Reserve (W)

**NAME OF WORK : VULTURE CONSERVATION BREEDING
CENTER OF BUXA TIGER RESERVE, RAJABHATKHAWA,
DIST - ALIPURDUAR**



DETAILS OF TIE BEAM



**DETAILS OF R.C.C. COLUMN
COLUMN NO**

ALL DIMANCTION ARE IN MM.

Argha
Argha Sengupta
B.Tech in Civil Engineering
Regd.No.-142570120067
Surjanagar, Alipurduar
Mob: 9563117117

V. Raykar
**Range Officer
AFR (W) Range
RTP (W)**

Hansi
**Deputy Field Director
Buxa Tiger Reserve (W)**

Name of work : CONSTRUCTION OF VULTURE CONSERVATION BREEDING CENTRE OF BUXA TIGER RESERVE, RAJABHATKHAWA, DIST - ALIPURDUAR.

ANALYSIS OF RATES.(AS PER P.W.D.(BUILDING) SCHEDULE OF RATES AS ON 01.11.2019

SUPPLYING,BENDING & BINDING STEEL MATERIAL (from Siliguri)				
LEAD	145.00Km		Unit	MT
DESCRIPTION	RATE /MT	No.	Rate/ MT	AMOUNT
Loading and unloading	Rs.72.00	1	Rs.72.00	Rs.72.00
Cost of carriage up to 5Km	Rs.82.00/ Km	1	Rs.82.00	Rs.82.00
Cost of carriage 5Km to 10 km.		5	Rs.7.30	Rs.36.50
Cost of carriage 10 Km to 20 km.		10	Rs.6.70	Rs.67.00
Cost of carriage 20Km to 50km.		30	Rs.6.30	Rs.189.00
Cost of carriage 50 Km to 100 km.		50	Rs.5.60	Rs.280.00
Above 100 km		45	Rs.5.30	Rs.238.50
TOTAL CARRIAGE =C.R.		145		Rs.965.00
Rate of item as per relevant section of this Schedule.(JSW/JSPL/SHYAM/ SRMB/ BMASL/ ELECROSTEEL/SSL)		1	64243	Rs.64243.00
Deduct Issue Rate (Per MT) of respective Quality Steel (JSW/JSPL/SHYAM/SRMB/BMASL/ ELECROSTEEL/SSL)		1.17	46220	Rs.54077.40
Add Basic Price at outlet of Steel of respective quality(JSW/JSPL/SHYAM/SRMB/BMASL/ ELECROSTEEL/SSL)		1.17	40960	Rs.47923.20
unloading and stacking charges for 1.05 MT Steelx Carriage		1.05	Rs.965.00	Rs.1013.25
GRAND TOTAL				Rs.59102.05

Hari
Deputy Field Director
Buxa Tiger Reserve (W)

S. Ray
Range Officer
AFR (W) Range
BTR (W)

Argha
Argha Sengupta
B.Tech in Civil Engineering
Regd.No.-142570120067
Surjanagar, Alipurduar
Mob: 9563117117

Name of work : CONSTRUCTION OF VULTURE CONSERVATION BREEDING CENTRE OF BUXA TIGER RESERVE, RAJABHATKHAWA, DIST - ALIPURDUAR.

SL No. 9

RENFORCEMNT DETAIL :

12 MM DIA

SL . NO	NAME	NO	LENGTH	TOTAL (M)	WEIGHT	TOTAL WEIGHT
1	COLUMN BASE JALI (BOTTOM)	6	0.85	5.10		
2	COLUMN BASE JALI (TOP)	6	0.85	5.10		
3	COLUMN RENFORCEMENT	48	2.1	100.80		
4	TIE BEAM	4	65.84	263.36		
				374.36	0.888	332.43

10 MM DIA

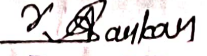
SL . NO	NAME	NO	LENGTH	TOTAL (M)	WEIGHT	TOTAL WEIGHT
4	LINTLE	4	65.84	263.36		
				263.36	0.617	162.49

8 MM DIA

SL . NO	NAME	NO	LENGTH	TOTAL (M)	WEIGHT	TOTAL WEIGHT
1	COLUMN RENFORCEMENT	108	0.80	86.40		
2	TIE BEAM	527	0.90	474.30		
3	LINTLE	527	0.35	184.45		
4	CHAJA	18	1.30	23.40		
5	CHAJA	7	2.15	15.05		
				783.60	0.395	309.52

TOTAL WEIGHT : 804.45 /1000
0.804 MT.


Argha Sengupta
B.Tech in Civil Engineering
Regd.No.-142570120067
Surjanagar, Alipurduar
Mob: 9563117117


Range Officer
AFR (W) Range
BTR (W)


Deputy Field Director
Buxa Tiger Reserve (W)

Name of work : CONSTRUCTION OF VULTURE CONSERVATION BREEDING CENTRE OF BUXA TIGER RESERVE, RAJABHATKHAWA, DIST - ALIPURDUAR.

SL. NO.

M.S. structural works with hollow sections

100 MM X 100 MM X 5 MM SHS :

SL. NO	NAME	NO	LENGTH	TOTAL (M)	WEIGHT	TOTAL WEIGHT
1	COLUMN	12	5.70	68.40		
2	VERTICAL	8	18.82	150.56		
3	VERTICAL	8	6.20	49.60		
				268.56	14.41	3869.95

49.50 MM X 49.50 MM X 4.50 MM SHS :

SL. NO	NAME	NO	LENGTH	TOTAL (M)	WEIGHT	TOTAL WEIGHT
1	KING POST	1	0.95	0.95		
2	TIE BEAM	1	5.85	5.85		
3	PRINCIPAL RAFTER	2	3.20	6.40		
4	STRUT 1	2	1.00	2.00		
5	STRUT 2	2	0.45	0.90		
6	PURLINE	6	9.00	54.00		
7	PURLINE CLEAT	6	0.15	0.90		
8	COMMON RAFTER	4	3.20	12.80		
				83.80	5.95	498.61

PLATE 5 MM SHS :

SL. NO	NAME	NO	AREA	TOTAL (SQ.M.)	WEIGHT	TOTAL WEIGHT
1	FENCING WALL SITE (200 MM X 200 MM)	96	0.04	3.84		
2	IRON GATE (450 MM X 450 MM)	2	0.203	0.41		
3	WALL PLATE (0.25 MM X 0.25 MM)	4	0.06	0.25		
4	KING POST (200 MM X 200 MM)	2	0.04	0.08		
5	TIE BEAM (200 MM X 200 MM)	2	0.04	0.08		
6	PRINCIPAL RAFTER (200 MM X 200 MM)	4	0.04	0.16		
7	STRUT 1 (200 MM X 200 MM)	4	0.04	0.16		
8	STRUT 2 (200 MM X 200 MM)	4	0.04	0.16		
9	PURLINE (200 MM X 200 MM)	12	0.04	0.48		
10	PURLINE CLEAT (200 MM X 200 MM)	12	0.04	0.48		
11	COMMON RAFTER (200 MM X 200 MM)	8	0.04	0.32		
				6.42	15.00	96.225

Argha
Argha Sengupta
 B.Tech in Civil Engineering
 Regd.No.-142570120067
 Surjanagar, Alipurduar
 Mob: 9563117117

TOTAL WEIGHT :

3966.17 KG.

= 3.966 MT.

S. Dey
Range Officer
AFR (W) Range
BTR (W)

H. M.
Deputy Field Director
Buxa Tiger Reserve (AR)

Page- 189, Item- 1

Plaster (to wall, floor, ceiling etc.) with sand and cement mortar including rounding off or chamfering corners as directed and raking out joints including throating, nosing and drip

With 1:4 Cement Mortar

		ground floor			
Step - 1	Rate of item as per relevent section of this schedule=			Rs. 126.00	/M ²
Step - 2	Deduct cost of cement =	4.286 kg x	Rs. 6.460 =	-Rs. 27.69	/M ²
Step - 3	Add cost of cement supplied by Contractor =	4.286 kg x	Rs. 5.873 =	Rs. 25.17	/M ²
				<u>Rs. 123.48</u>	/M ²

Page- 189, Item- 1

Plaster (to wall, floor, ceiling etc.) with sand and cement mortar including rounding off or chamfering corners as directed and raking out joints including throating, nosing and drip

With 1:4 Cement Mortar

		ground floor			
Step - 1	Rate of item as per relevent section of this schedule=			Rs. 157.00	/M ²
Step - 2	Deduct cost of cement =	6.571 kg x	Rs. 6.460 =	-Rs. 42.45	/M ²
Step - 3	Add cost of cement supplied by Contractor =	6.571 kg x	Rs. 5.873 =	Rs. 38.59	/M ²
				<u>Rs. 153.14</u>	/M ²

Page- 189, Item- 1

Plaster (to wall, floor, ceiling etc.) with sand and cement mortar including rounding off or chamfering corners as directed and raking out joints including throating, nosing and drip

With 1:4 Cement Mortar

		ground floor			
Step - 1	Rate of item as per relevent section of this schedule=			Rs. 181.00	/M ²
Step - 2	Deduct cost of cement =	8.571 kg x	Rs. 6.460 =	-Rs. 55.37	/M ²
Step - 3	Add cost of cement supplied by Contractor =	8.571 kg x	Rs. 5.873 =	Rs. 50.34	/M ²
				<u>Rs. 175.97</u>	/M ²

Page- 192, Item- 15

Neat cement punning about 1.5mm thick in wall,dado>window sill,floor etc.

NOTE:Cement 0.152 cu.m per100 sq.m.

		Ground Floor			
Step - 1	Rate of item as per relevent section of this schedule=			Rs. 34.00	/M ²
Step - 2	Deduct cost of cement =	2.171 kg x	Rs. 6.460 =	-Rs. 14.02	/M ²
Step - 3	Add cost of cement supplied by Contractor =	2.171 kg x	Rs. 5.873 =	Rs. 12.75	/M ²
				<u>Rs. 32.73</u>	/M ²

Page- 35 , Item- 22ii

(II) Cement concrete with 30 mm down graded shingles excluding shuttering. North Bengal Variety,

(a) In 1:3:6 Proportion

Ground Floor

Step - 1	Rate of item as per relevant section of this schedule=				Rs. 3393.00	/M ³
Step - 2	Deduct cost of cement =	222.857 kg x	Rs. 6.460	=	-Rs. 1439.66	/M ³
Step - 3	Add cost of cement supplied by Contractor =	222.857 kg x	Rs. 5.873	=	Rs. 1308.84	/M ³
				=	Rs. 3262.18	/M ³

Page 15 item No. 8

Brick work with 1st class bricks in cement mortar (1:6)

(a) In foundation and plinth

Ground Floor

Step - 1	Rate of item as per relevant section of this schedule=				Rs. 4896.00	/M ³
Step - 2	Deduct cost of cement =	78.57 kg x	Rs. 6.460	=	-Rs. 507.56	/M ³
Step - 3	Add cost of cement supplied by Contractor =	78.57 kg x	Rs. 5.873	=	Rs. 461.44	/M ³
				=	Rs. 4849.88	/M ³

Page 16 item No. 16

125 mm. thick brick work with 1st class bricks in cement mortar (1:4) in ground floor.

Ground Floor

Step - 1	Rate of item as per relevant section of this schedule=				Rs. 674.00	/M ²
Step - 2	Deduct cost of cement =	13.060 kg x	Rs. 6.460	=	-Rs. 84.37	/M ²
Step - 3	Add cost of cement supplied by Contractor =	13.060 kg x	Rs. 5.873	=	Rs. 76.70	/M ²
				=	Rs. 666.33	/M ²

Page 26 item No. 10 (ii)

Ordinary Cement concrete (mix 1:1¹/₂:3) with graded stone chips (20 mm nominal size) excluding shuttering and reinforcement if any ground floor as per relevant IS Code,

1:1¹/₂:3 Proportion with River Bazree

Ground Floor

	Rate of item as per relevant section of this schedule=				Rs. 4745.00	/M ³
Step - 1	Final rate of item using River Bazree			=	Rs. 4745.00	/M ³
Step - 2	Deduct cost of cement =	408.571 kg x	Rs. 6.460	=	-Rs. 2639.37	/M ³
Step - 3	Add cost of cement supplied by	408.571 kg x	Rs. 5.873	=	Rs. 2399.54	/M ³
				=	Rs. 4505.17	/M ³

Reinforcement for reinforced concrete work in all sorts of structures including distribution bars, stirrups, binders etc initial straightening and removal of loose rust (if necessary), cutting to requisite length, hooking and bending to correct shape, placing in proper

JSW/JSPL/SRMB/
SHYAM/BMASL/
ELECTO STEEL/SSL

Step -1	Rate of item as per relevent section of this schedule [page -43, item 40]			=	Rs. 64243.00	MT
Step -2	Deduct Issue rate (Per MT) of respctive Quantity of Steel including 10% contractor profit, 2% sundries, water charges & 5% Wastage	Rs. 46220.00 x	1.17		-Rs. 54077.40	M1
				=		
Step -3	Add basic Price at outlet of Steel of respctive Quantity of Steel including 10% contractor profit, 2% sundries, water charges & 5% Wastage	Rs. 40960.00 x	1.17		Rs. 47923.20	M1
				=		
Step -4	Add cost of Carriage from out let to site with necessary loading, unloading and stacking charges for 1.05 MT Steel	Rs. 965.00 x	1.05	=	Rs. 1013.25	M1
				=	Rs. 59102.05	M1
(A)	Sub Total =				Rs. 59102.05	MT
(B)	Add: GST @ 12.00% on Sl. No. - (A) =				Rs. 7092.25	M1
(C)	Cost of civil work excluding labour welfare cess = (A+B)				Rs. 66194.30	M1
(D)	Add:- Labour welfare Cess @ 1.00% on Sl. No. (C) =				Rs. 661.94	M1
(E)	Cost of civil works including labour welfare Cess = (C+D)				Rs. 66856.24	M1

Cost of Different

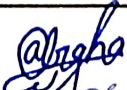
Distance from Siliguri to Work site 145.00 KM Approximate

Distance [km]	km	Rate	Rs.
Up to 5 km	5.00	@ Rs. 82.00 / 5 km =	82.00
Above 5 and up to 10	5.00	@ Rs. 7.30 / km =	36.50
Above 10 and up to 20	10.00	@ Rs. 6.70 / km =	67.00
Above 20 and up to 50	30.00	@ Rs. 6.30 / km =	189.00
Above 50 and up to 100	50.00	@ Rs. 5.60 / km =	280.00
Above 100 and up to required distance	45.00	@ Rs. 5.30 / km =	238.50
			72.00
			Rs. 965.00

Loading and unloading [P-224, It- 1.03 -h =

Carriage Page
227, Item 05 of
Vollume III

Sl. No.	Ref.	Description of Item of works	Unit	Quantity	Rate	Amount in Rs.
Reinforcement in Foundation						
Page-293, Item 12.2						
1	Item rate		MT	1.00	3175.00	3175.00
Encl	Cost of Reinforcement		MT	1.05	53017.01	55667.86
			MT		Rs	58842.86
Reinforcement in Substructure						
Page-297, Item 13.0						
2	Item rate		MT	1	3308.00	3308.00
Encl	Cost of Reinforcement		MT	1.05	53017.01	55667.86
	Total		MT		Rs	58975.86
Reinforcement in Superstructure						
Page-300, Item 14.0						
3	Item rate		MT	1.00	4226.00	4226.00
Encl	Cost of Reinforcement		MT	1.05	53017.01	55667.86
	Total		MT	Rs	Rs	59893.86
	IT NO. 4.09 / PAGE NO- 247	Construction of Sub Base using Local Materials: Construction of Sub Base using Local Materials, spreading in uniform layers with Motor grader on prepared surface, including screening the metal as necessary, mixing by mix in place method with Rotavator at OMC, and compacting with vibratory roller to achieve the desired density, lighting, guarding and barricading including cost and carriage of all materials and making necessary earthen bundh of one metre wide on each side to protect the edges complete as per Clause 401 of Specifications for Road & Bridge Works of MoRT&H (5th Revision). (iv) For Construction of Sub Base by compacting river bed materials.				
			CUM	1.28	605.25	774.72
		LABOUR CHARGES				152.00
						926.72


Argha Sengupta
 M.Tech in Structural Engineer
 Reg. No.: 007-104-2020-026 of 2020-21
 Ph. No.- 9563117117

RATE ANALYSIS OF MATERIALS (COARSE AGGREGATE) AT SITE												
Source of Material:			PANA (Shingles/Bazree / Grit/ River bed materials)					RAYDAK II (Metal/Stone Boulder)				
*Average lead (km) upto Project C.G considered in the analysis:			30					50				
Item	Unit	Size of Aggregates										
		Shingles 63 mm	Shingles 37.5mm	Bazree 22.4mm	Bazree 13.2mm	Bazree 11.2mm	River Grit 5.6 mm	River bed materials	63-45 Stone metal Gr-1	53mm Stone Metal Gr-2	Boulder 150 mm	Boulder 225 mm and above
Stone materials at quarry (Table III-1 & Page No. 222, PWD(R) Schedule of Rates 1st July 2014)	cum	206.00	238.00	325.00	357.00	325.00	249.00	173.00	400.00	595.00	271.00	292.00
Loading Unloading (75% of rate) (Page-225, Item-1.03.c & d.)	cum	62.25	57.75	57.75	57.75	57.75	57.75	57.75	62.25	62.25	62.25	62.25
Carriage cost including loading unloading (stated Below)	cum	374.50	374.50	374.50	374.50	374.50	374.50	374.50	564.50	564.50	564.50	564.50
Rate at Site	cum	642.75	670.25	757.25	789.25	757.25	681.25	605.25	1026.75	1221.75	897.75	918.75
Note: The above rates include charges for all Taxes, Royalty, Supervision charges etc. and also include allowances for sinkage and Overhead & Contractor's profit												
CARRIAGE OF STONE MATERIALS :												
Description	Unit	Distances (km)		Rate (Rs)		Amount (Rs)						
		Bazree/S hingles etc.	Boulder/ Metal	Bazree/ Shingles etc.	Boulder/ Metal	Bazree/ Shingles etc.	Boulder/ Metal					
For rates Refer item no. 3 at page 228 of PWD (R) current Schedule of Rates 1st July 2014												
Cost of carriage up to 5Km (page-228, Item-3.)	cum	5.00	5.00	124.00	124.00	124.00	124.00					
b) Distance carried exceeding 5 km but up to 10 km (per km)	cum	5.00	5.00	10.90	54.50	54.50	54.50					
c) Distance carried exceeding 10 km but up to 20 km (per km)	cum	10.00	10.00	10.10	101.00	101.00	101.00					
d) Distance carried exceeding 20 km but up to 50 km (per km)	cum	10.00	30.00	9.50	95.00	285.00	285.00					
e) Distance carried exceeding 50 km but up to 100 km (per km)	cum	0.00	0.00	8.40	0.00	0.00	0.00					
f) Distance carried exceeding 100 km and up to any distance (per km)	cum	0.00	0.00	7.90	0.00	0.00	0.00					
Total Carriage Cost		30	50		374.50	564.50	564.50					


 Argha Sengupta
 M.Tech in Structural Engineer
 Reg. No.: 007-104-2020-026 of 2020-21
 Ph. No.- 9563117117